



## Digital Densimeter Systems

**Standards:** [ASTM D792](#), [ISO 2781](#), [ISO 1183](#), [GB/T 1033](#), [GB/T 2951](#), [JIS K 6268](#), [GB/T 208](#), [GB/T 5163](#), [GB/T 1933](#)



**ULTIMATE USER-FRIENDLINESS**



**LEADING DEPENDABILITY AND RELIABILITY**



**STRICT COMPLIANCE WITH INDUSTRY STANDARDS**



**STOCKED CONSUMABLES AND SPARES**



**TRUSTED AFTER SALES TECHNICAL SUPPORT**



**LIFETIME PRODUCT SUPPORT ADVANTAGE**



### Description

The NG-DM-A Series offers high-accuracy digital Densimeters designed for a wide variety of material testing needs. These elegant and compact densimeter systems offer capacity ranges from 150g to 3000g with accuracy of 0.001g/cm<sup>3</sup> down to 0.0002g/cm<sup>3</sup>.

**GET A QUOTE**

### Densimeter Application

The densimeter is suitable for rubber, plastic, tire, shoe materials, macromolecule, composite materials, elastic materials, conveyer belt, transmission belt, soft synthetic leather, leather, and much more. The digital Densimeter systems are upgraded multi-function density measurement instruments that had undergone and extensive researched and developed phase for optimal test results. The density meter systems offer instant density reading values. They additionally provide the abrasion loss of relative volume for DIN, ARI, AKRON. Expansion rate, quality and volume change rates can also be displayed. These Densimeters have been commonly used in virtually all rubber testing facilities.



## Watch Video



Watch the Digital Densimeter Systems product video.

[WATCH ON YOUTUBE](#)



## Digital Densimeter System Features & Functions

- Density precision: 0.001 OR 0.0001g/cm<sup>3</sup>
- Value Displays: Apparent density, volume, mixture ratio, density and volume change rate
- Power Supply: AC 100V-240V 50HZ/60HZ North American and European standards
- PC and printer connection via RS-232 port. This allows to print measuring data.
- High accuracy, simple operation, and fast results meet laboratory operation standard and quick cycle testing requirement for all types of testing facilities
- Function of 10 group data storage for density value and DIN volume abrasion loss.
- In accordance with DIN 53516 standard. Offers the function of calculating average value for multigroup data.
- Either water or other liquids can be used as medium. The medium temperature can be set from 0°C to 49°C and the medium density can be set to 19.999.
- Function of waterproof medium density setting, aerostatic buoyancy compensation setting.
- Function of weight loss value setting, fixed weight loss value setting, density setting for reference rubber.
- As for new materials in research and developing, the percentage content of main material for two mixed objects can be displayed
- Auto max. and min. limitation settings for sample qualifications indicated by an alarm
- Function of automatic zero tracking, buzzer warning, and overload warning.
- Large tank design can decrease the inaccuracy caused by supporting wire's buoyancy.
- High capacity injection moulding PC water tank, designed to resist wear, falls, and corrosion.
- Special windproof and dustproof cover designed to make the structure more convenient and durable.
- Ability to measure density of any rubber and plastic products with any shape.
- Injection moulding testing plate and the high transparency water sink is built-in imported PC. Testers can clearly inspect the samples in water.



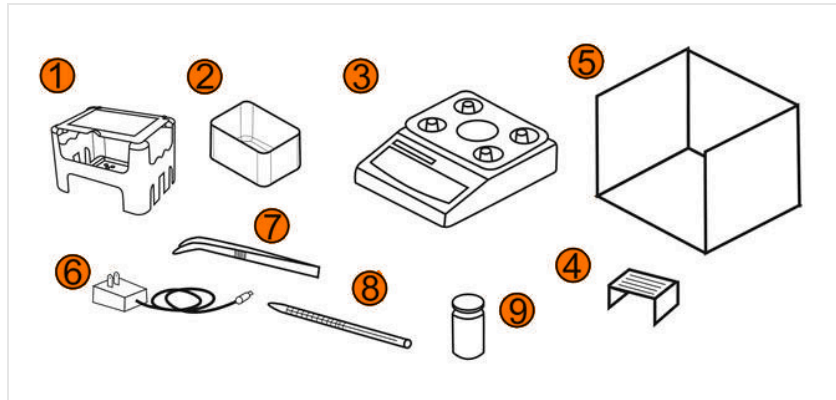
- The suspension wire made up of 0.5 mm stainless steel is perpendicular to nacelle, which does not touch the water sink, therefore ensuring the accuracy of the test results.

## Densimeter Technical Specifications

Model		NG-DM-A300	NG-DM-A600	NG-DM-A1200	NG-DM-A3000	NG-DM-A150
The maximum weight(g)		300g	600g	1200g	3000g	150g
Density precision(g/cm <sup>3</sup> )		0.001g/cm <sup>3</sup>				0.0002g/cm <sup>3</sup>
Repeatability accuracy		±0.001g/cm <sup>3</sup>				±0.0003g/cm <sup>3</sup>
Measurable Parameters		Density, Specific gravity, Mixing ratio, Volume				
Measurable Samples		Solid, Pellet, Film, Floating samples, etc.				
Density range		>1, <1 both can be measured				
Mixing ratio setting		S1 - S2 (Set different values to measure the mixing ratio, content of different mixture, alloy by,)				
Other parameters setting		Temperature compensation, air buoyancy compensation, standard block weight, density, the upper and lower limits of specific gravity				
Functional Mode	Solid Mode	Can measure the density, specific gravity, volume value of solid, granular, floating objects, colloid				
	Mixing Ratio Mode:	Can measure either of the material mixture ratio, content for the known density of two materials mixture				
Settings of Temperature and Solution Compensation		The solution density can be set to 19.999				
Density setting of HI and LO limit		It can set the high limit and low limit of density				
Output mode		RS-232C				
Temperature And Humidity Range		Allowable ambient temperature:-18°C-45°C Allowable relative humidity: Less than 80%				
Power Supply		European standard AC 100V-240V				
Other parameters		Overall size: 395x195x330mm (15.55x7.7x13-inch) Product size: 210x195x185mm (8.3x7.7x7.3-inch)				



## Standard Densimeter Accessories



1. Measuring platform
2. Water tank
3. Main-body
4. Anti-floating frame
5. Windshield (Optional Configuration)
6. AC adapter
7. Tweezers
8. Thermometer
9. Calibration weight

[GET A QUOTE](#)