



## Ball Rebound Tester

**Standards:** [DIN EN ISO 8307](#), [ASTM D3574](#)



ULTIMATE USER-FRIENDLINESS



LEADING DEPENDABILITY AND RELIABILITY



STRICT COMPLIANCE WITH INDUSTRY STANDARDS



STOCKED CONSUMABLES AND SPARES



TRUSTED AFTER SALES TECHNICAL SUPPORT



LIFETIME PRODUCT SUPPORT ADVANTAGE

### Description

**Ball Rebound Tester** is a device designed to test resilience of materials such as foam, polyurethane and other similar materials. The unit comes certified in accordance with [DIN EN ISO 8307](#) and [ASTM D3574](#) industry standards. The test consists of a 16mm magnetic ball dropping freely onto a sample from a specified height of 500mm. The electronic console unit that comes standard with this instrument will show the measured value and calculate the proportion of the average value in %. After the test completion, a sensor placed close to the holder ensures that the ball returns to the home position.



GET A QUOTE

### Standard Configurations

- Main Unit Test stand
- Electronic Console
- EKF 500 mm down-pipe with a magnetic system
- Works calibration certificate for 500 mm ball rebound



## Watch Video



Watch the Ball Rebound Tester product video.

[WATCH ON YOUTUBE](#)



## Features

- Plug-n-Play System
- Extremely Easy to Learn to Operate
- Short Measuring Cycle
- USB Port
- Test cycle, measured values, median value in %, status and operating instructions output to 4-line LCD
- No Calibration Requirements

## Technical Specifications

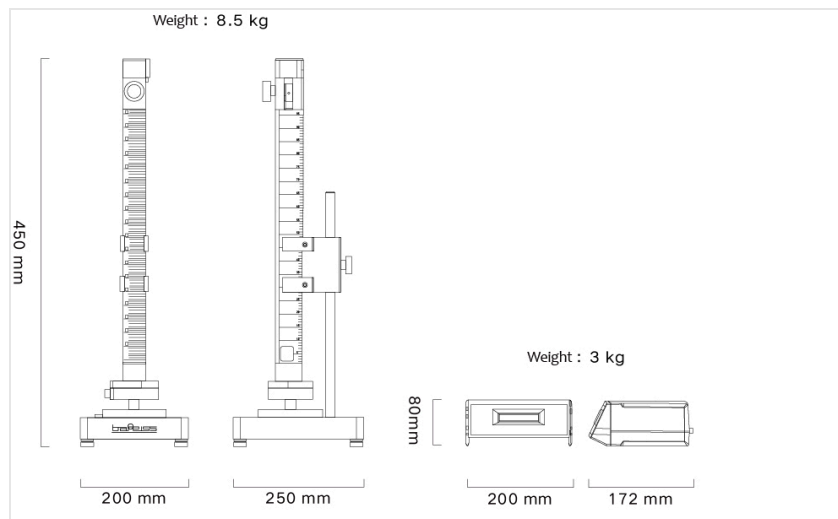
Model #	Ball Rebound Tester
Steel Ball	16.3±0.2g
Ball Diameter	16±0.2
Sample Size	100mm×100mm, height 50mm
Standards	<a href="#">DIN EN ISO 8307</a> and <a href="#">ASTM D3574</a>
Power Supply	100 – 240 VAC; 50 / 60 Hz
IP Code	Electronic Unit IP 30 Down Pipe IP 20
Data Output	V24 RS 232 – 9600 baud, 1 start bit, 8 data bits, 1 stop bit
Dimensions	<u>Test Stand:</u> 7.87 x 9.84 x 23.6" 200 x 250 x 600 mm <u>Electronic Unit:</u> 7.87 x 6.73 x 3.54" 200 x 171 x 90 mm



## Accessories

- EKF 460 mm down-pipe with a magnetic system
- Works calibration certificate for 460 mm ball rebound
- Data Output Cable
- USB adapter
- GKB03 software for data transmission to Excel

## System Dimensions



[GET A QUOTE](#)